

# BATHTUB **BAGHEERA**



**REF.**  
7601.08  
7601.09

## **Electric Hi/Lo Bathtub**

With its especially designed shapes, Bagheera is highly comfortable for residents and offers the best ergonomic position for carers.



**Bath**



# BATHTUB BAGHEERA



The Bagheera bath was designed for installation in the centre of your bathroom. Carers can move freely around the bath and have permanent and unrestricted access to the control panel built into the side of the bath. Patients can rest their head at either end of the bath.

#### DESCRIPTION:

- Reinforced fiberglass tub white colour.
- Adjustable height through 2 electric actuator (24 volts) with low voltage electric control.
- Automatic fill up level control.
- Cleaning and disinfection shower heads.
- Disinfection system by bactericide suction with tank ( 2 liters ) integrated into the tub.
- Removable feet-wedge.

#### PLUMBING:

- Thermostatic mixer, flow 54 l/min, anti-burn security, non return valves.
- Disinfection and cleaning shower heads with stop valves.
- 2 liters disinfectant tank.
- Air whirlpool 12 nozzles air heater integrated (optional).

#### CONTROLS:

- Sensitive control board for up/down, filling, draining, cleaning shower, disinfection shower, adjustment of temperature (with display) and air whirlpool.

#### SECURITY:

- 2 emergency stop buttons (1 on each side of the tub).
- Anti entrapment device.

#### TECHNICAL SPECIFICATIONS :

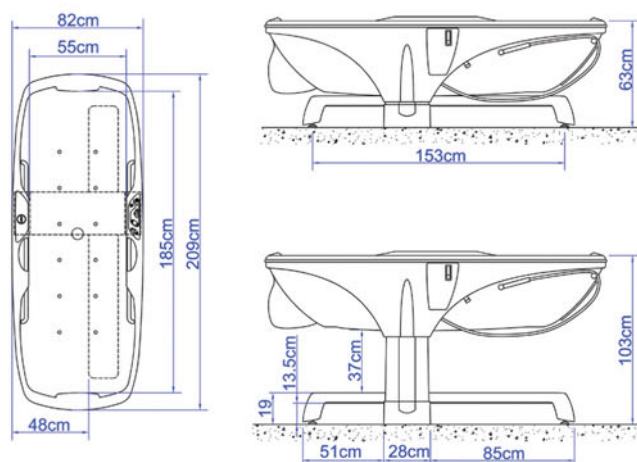
- Water volume : 280 l
- Weight: 160 Kg
- Filling time under 3 bars : 6 min
- Draining time : 5 min
- Rising time of the tub : ~20 sec

#### VERSIONS:

- Ref. 7601.08 Bagheera with control board on the right side.
- Ref. 7601.09 Bagheera with control board on the left side.
- Ref. 7120.99 Air whirlpool option with air heater integrated.

#### CONFORMITY:

- 73/23/CEE (Low voltage directive)
- 89/336/CEE (EMC directive )
- NF EN 60335-1 (Electric standard for bathtub...)
- NF EN 60335-2-60 (Electric standard for bathtub...)
- NF C 15-100 (Electric installation ...)
- NF EN 1717 (Anti-pollution...)



## HYGIENE & SECURITY

Safety was a prime concern throughout the development of the Bagheera bath, including control panel with perfectly smooth surface, automatic water shut-off by solenoid valve (double safety system: protection against overflow and germs), low voltage operation (24 V), emergency stop button on each side of the bath, foot anti-crushing device by simply pressing the base, bactericide reservoir built into the outer shell of the bath, air whirlpool with automatic drainage at end of cycle, control with safety locking when disinfecting the bath and adjusting the temperature.

## COMFORT & WELL-BEING

The curved interior lines, two ergonomic hand rails, built-in footrest and the possibility of resting the patient's head at either end of the bath, ensure optimum comfort for residents. The double bath shells provide sound and thermal insulation, much appreciated during relaxing air whirlpool baths.

ZA Fief des Prises - Usseau  
17220 Ste Soulle / La Rochelle



**Bath**

Tél. 05 46 42 04 16  
Fax. 05 46 43 06 38

www.france-reval.com